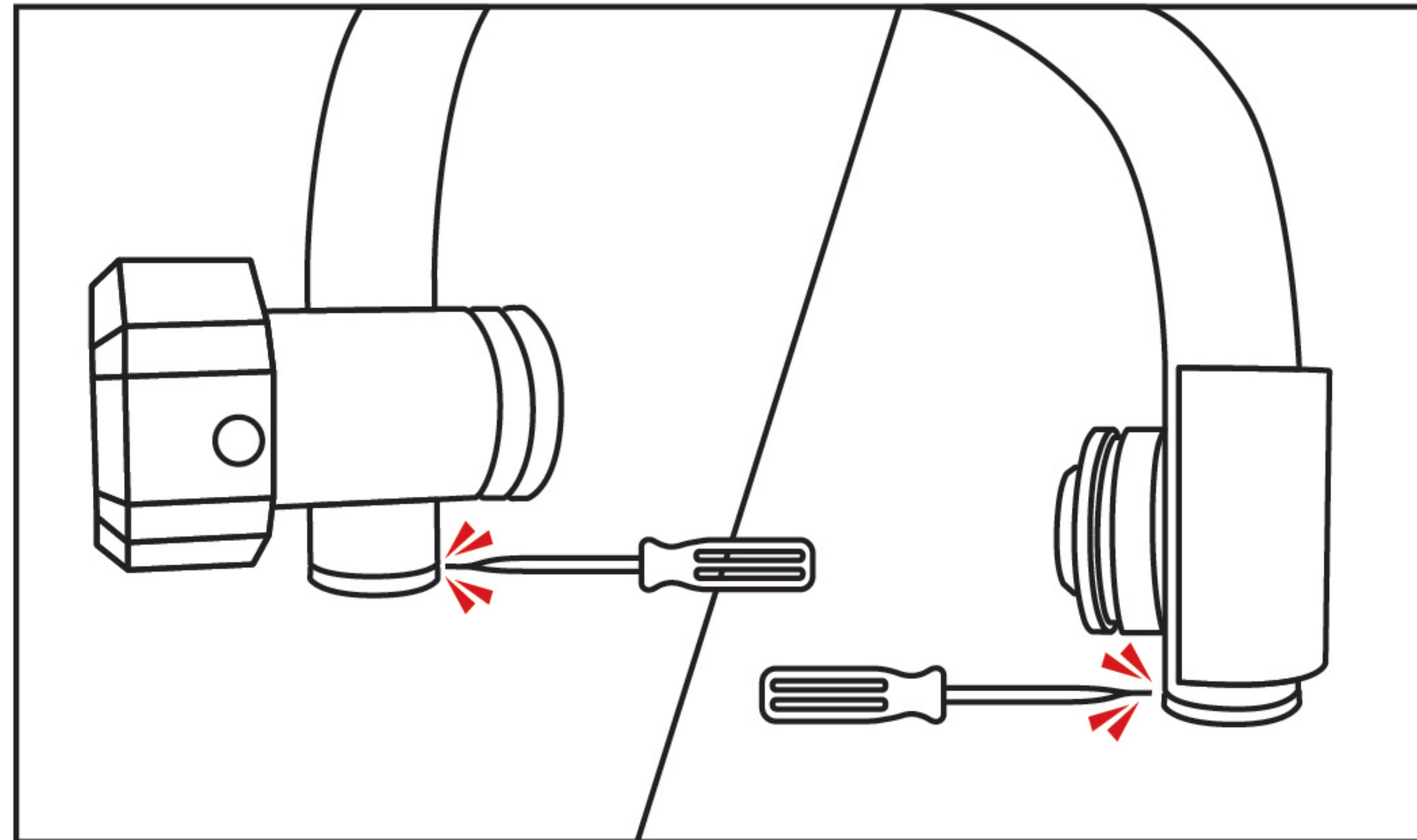
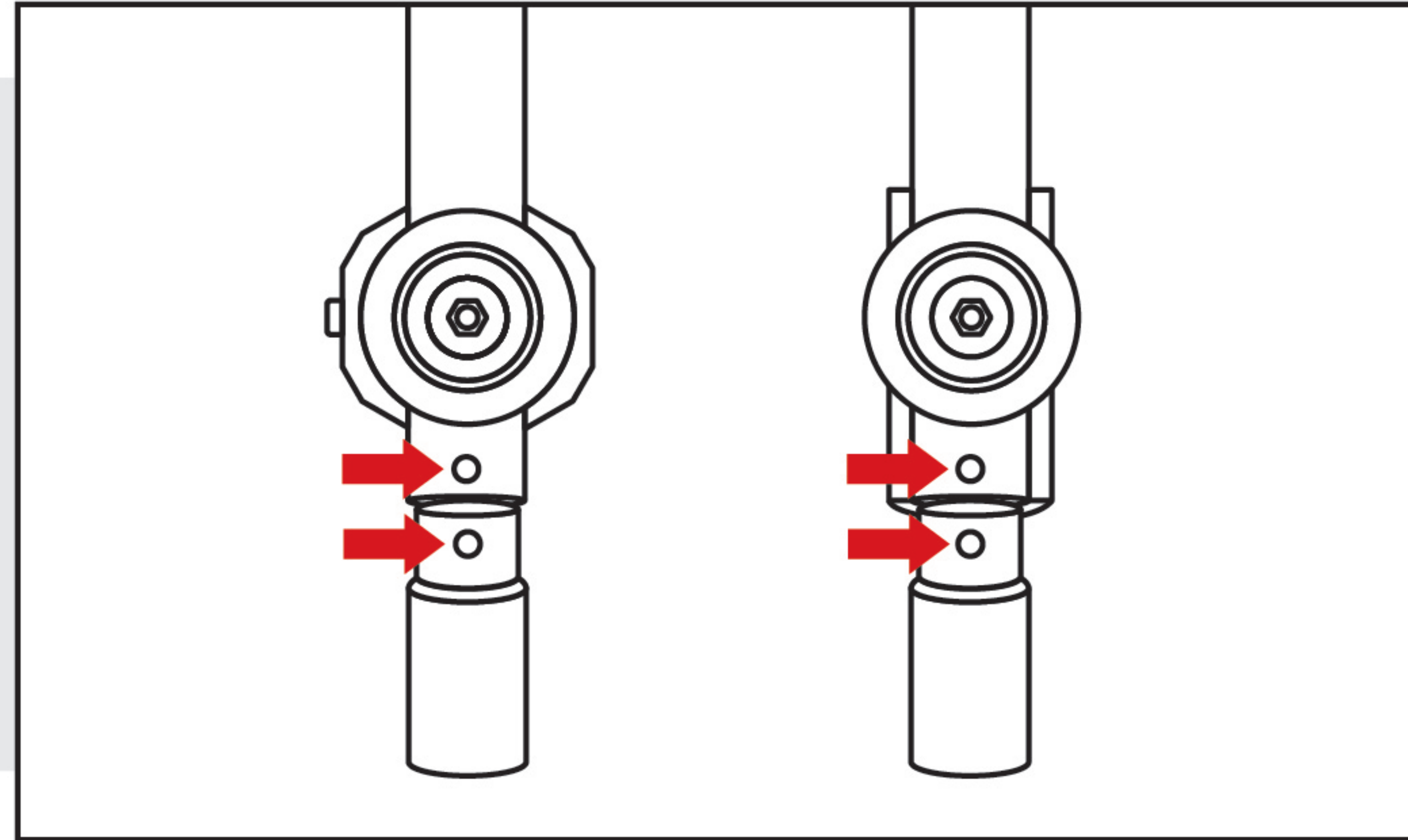




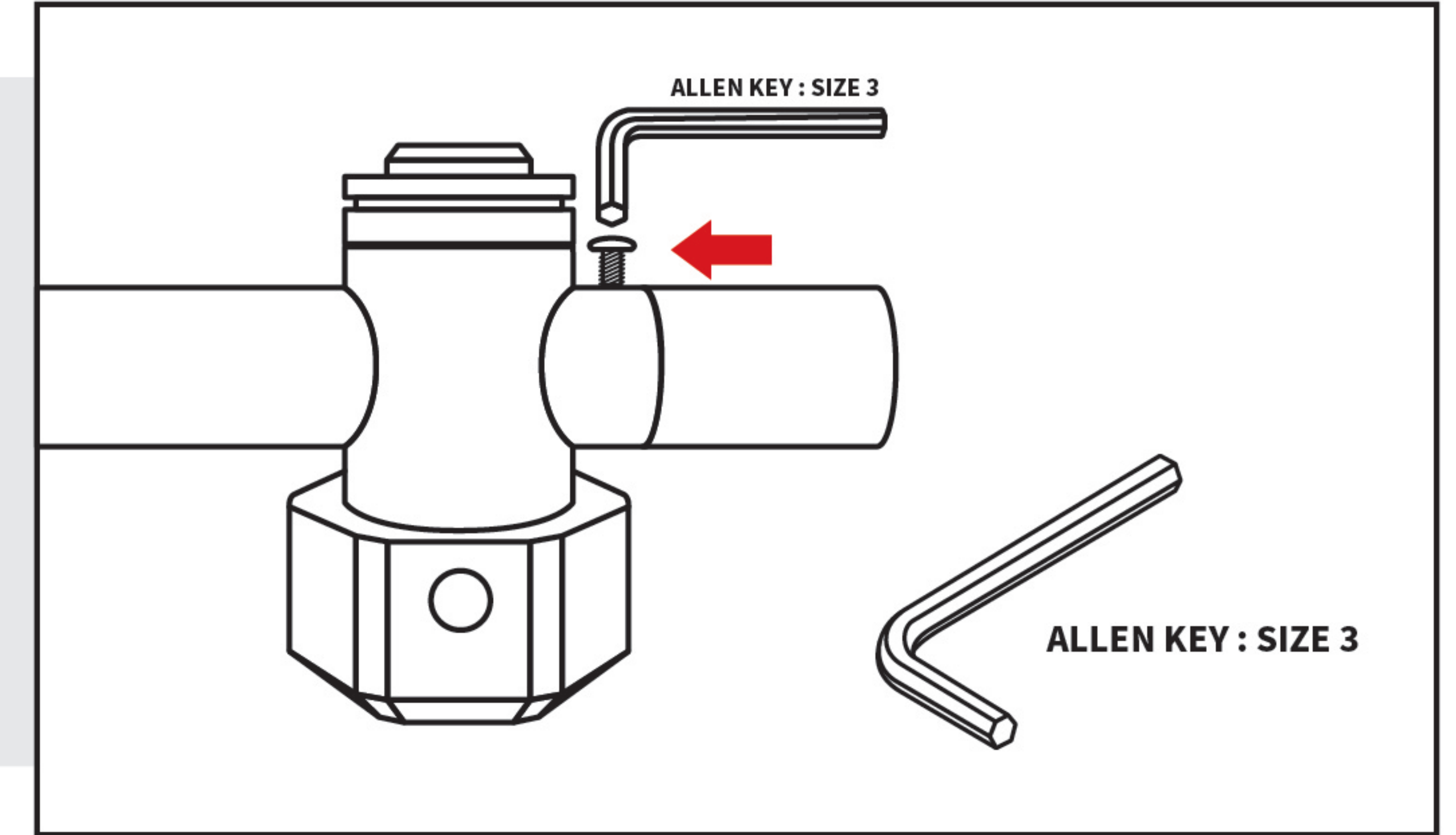
MAGNET INSTALLATION GUIDE



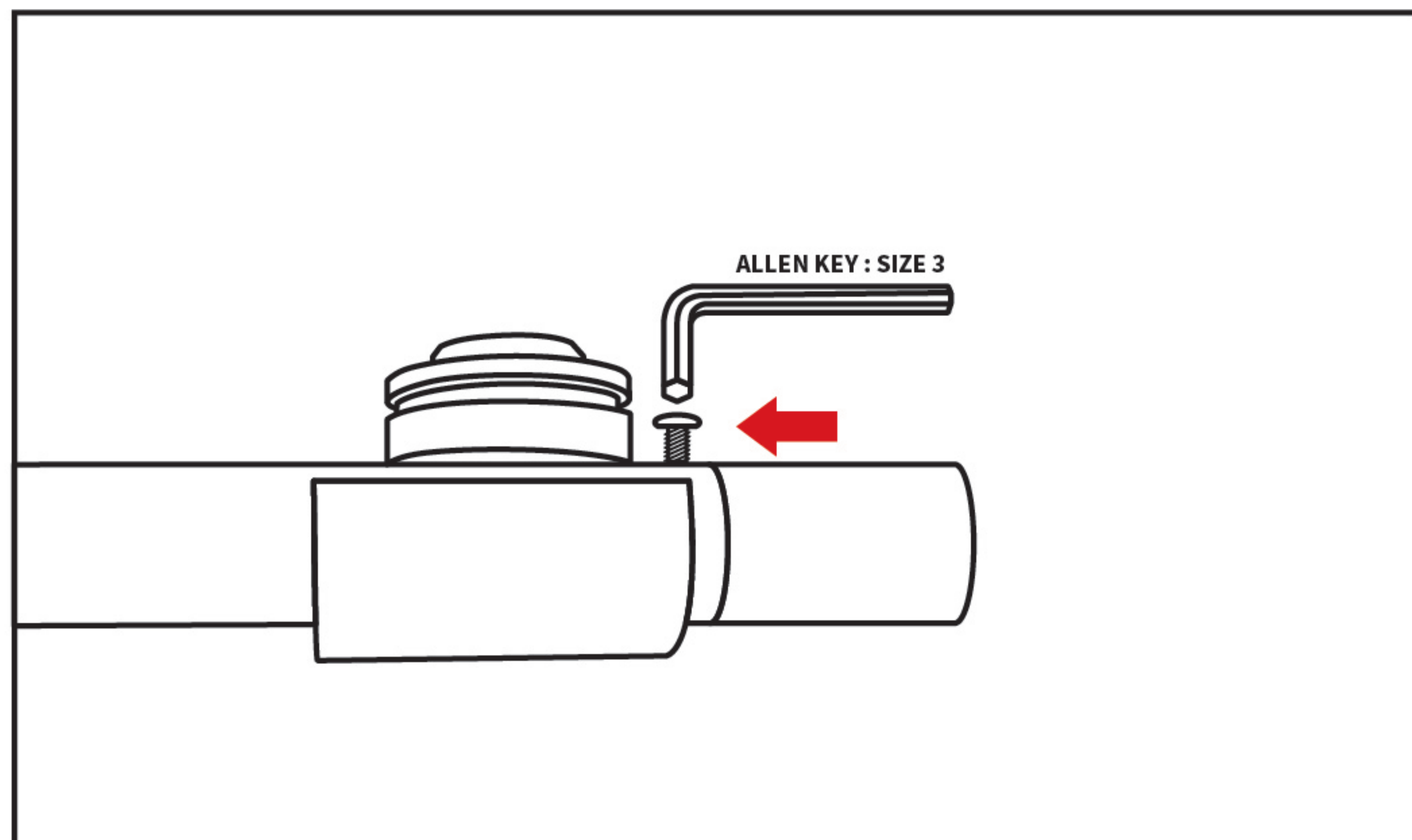
STEP 1: Remove the black rubber cap.



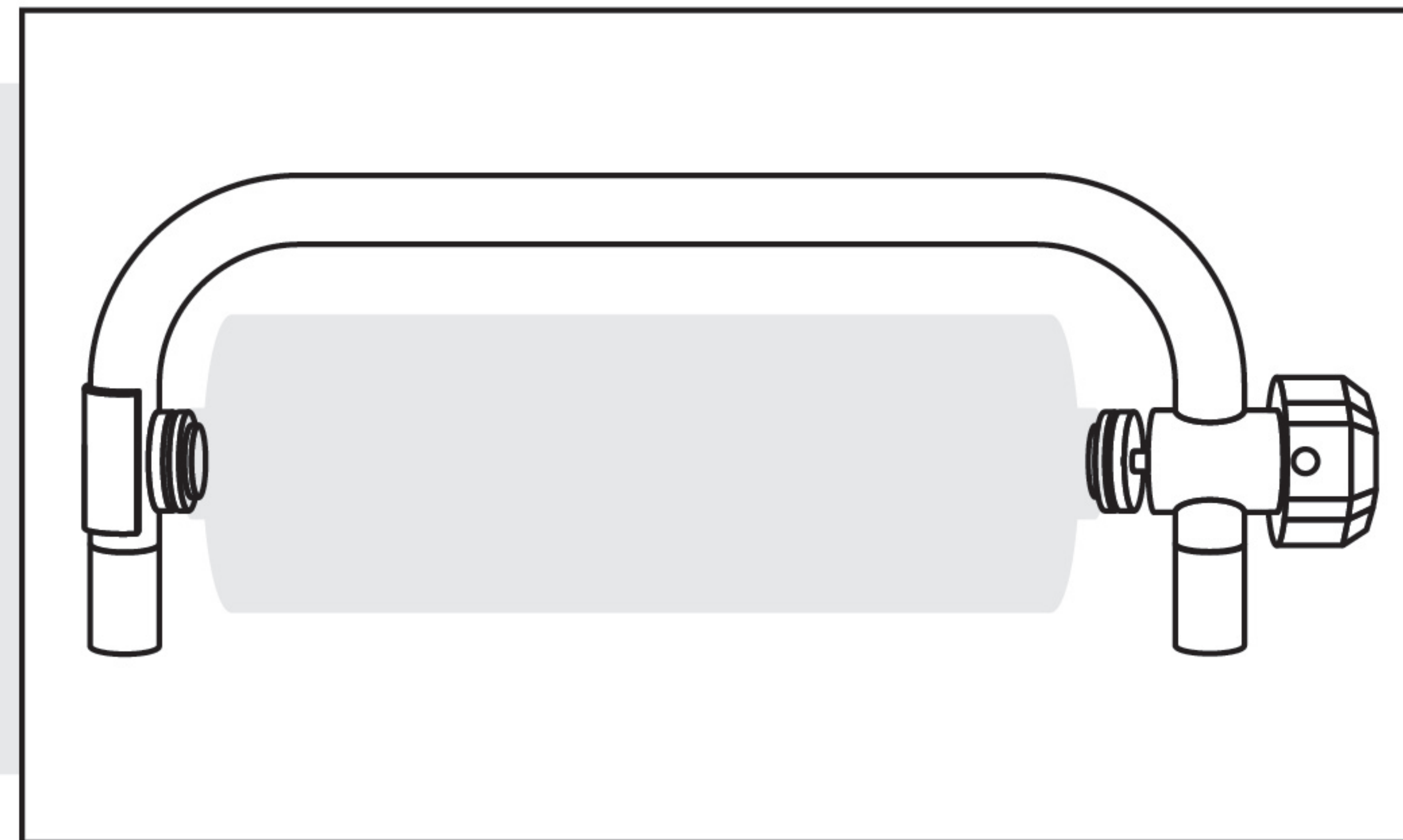
STEP 2: Align the holes to install the magnet.



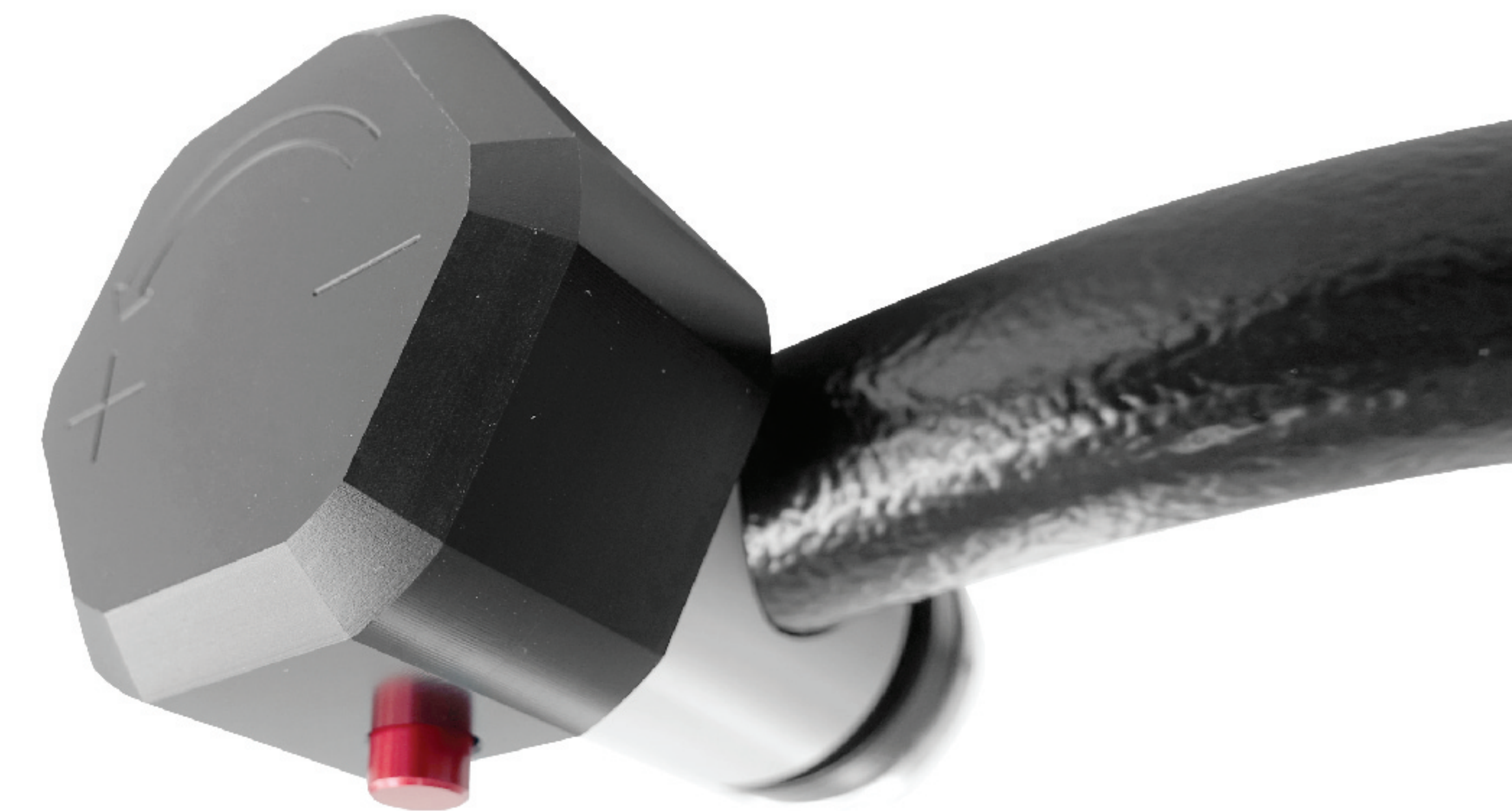
STEP 3: Screw in the bolt.



STEP 4: Install the magnet on both sides. Ensure the bolts are fastened tightly.



STEP 5: The dispenser is now ready for use.



ANTI FATIGUE / INJURY



FASTER WRAPPING



NO MORE FILM SNAPPING



EASY INSTALLATION & FILM REFRESH



TORQUE LIMITER FOR SPECIFIC FORCES



WRAP TO THE BOTTOM OF PALLET

IT'S NOT ROCKET SCIENCE

IT'S **BOLT**